



TUNING-FORK BALANCE

SJP series

Brilliant & Compact

- ▶ Super bright back-lit LCD
- ▶ Quick response and accurate measurement
- ▶ User friendly operation
- ▶ OIML (classII) approved



SJP-2200E
(2200g/0.1g)

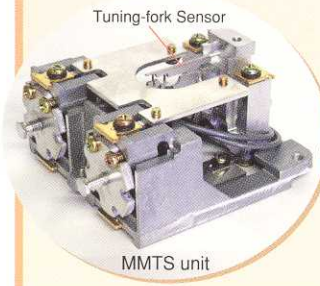
SHINKO DENSHI CO., LTD.



ISO9001
JQA-2834 TSUKUBA

**Newly developed MMTS
(Mono-Metal Tuning-fork Sensor)**

Not only does the tuning-fork sensor provide quick response and stability, but its newly developed MMTS also realizes a high resolution of 1/12,000.



Tuning-fork Sensor

MMTS unit

Patent pending

For further information, access www.vibra.co.jp



5-year warranty

MMTS is covered by a 5-year warranty that attests to its long-term stability and durability.

Comparator function

Users can tell at a glance whether a load is too heavy, too light, or the right weight according to the upper/lower weight limits they preset.



Bar graph display

A 20-step bar graph display readily indicates the current load's weight against the capacity.



Selectable modes and units

Users can select from 3 modes (weight, unit count, and percentage) and from 12 units of weight.



Weighing units

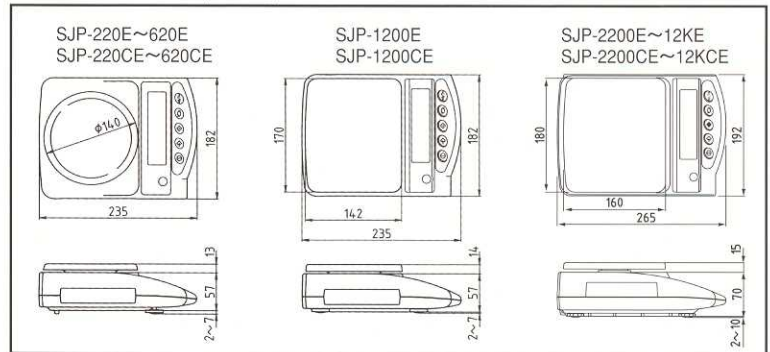
g, ct, oz, lb, ozt, dwt, GN, tl (Hong Kong), tl (Taiwan), tl (Singapore, Malaysia), momme, tola

Specifications

Model with EC approval*	SJP-220E SJP-220CE	SJP-420E SJP-420CE	SJP-620E SJP-620CE	SJP-1200E SJP-1200CE	SJP-2200E SJP-2200CE	SJP-4200E SJP-4200CE	SJP-6200E SJP-6200CE	SJP-12KE SJP-12KCE
Capacity	220g	420g	620g	1200g	2200g	4200g	6200g	12000g
Readability	0.01g	0.01g	0.01g	0.1g	0.1g	0.1g	0.1g	1g
Repeatability	±0.01g	±0.01g	±0.01g	±0.1g	±0.1g	±0.1g	±0.1g	±1g
Non-Linearity	±0.01g	±0.01g	±0.01g	±0.1g	±0.1g	±0.1g	±0.1g	±1g
Pan size	φ140mm			170×142mm	180×160mm			
Dimensions	235×182×75mm				265×192×87mm			
Weighing units*1	g, ct*2, oz, lb, ozt, dwt, GN*3, tl (Hong Kong), tl (Taiwan), tl (Singapore, Malaysia), momme, tola							
Power source	AC120/230V DC9V							
Output	RS-232C (option)							
Measuring system	Tuning-fork frequency sensing (MMTS)							
Tare	Full weighing range							
Calibration	With external weight							
Display	LCD with back-light							
Modes	weighing, counting, percentage							
Weight	Approx. 1.3kg				Approx. 2.7kg			

* SJP-XXXCE stands for EC approval models
 *1 only 5 units are available in SJP-XXXCE
 *2 carat is not available in SJP-6200CE and SJP-12KCE
 *3 GN is not available in SJP-12KE and SJP-XXXCE

Dimensions (unit: mm)



Options & Peripherals

- SDI/SDR Satellite display
- RTS Database software for Windows

The contents of this catalogue are subject to change due to modifications and/or other reasons.

SHINKO DENSHI CO., LTD.

3-9-11 YUSHIMA, BUNKYO-KU, TOKYO 113-0034
 TEL : 81-3-3835-4577 FAX : 81-3-5818-6066
 URL : <http://www.vibra.co.jp> E-mail : shinko@vibra.co.jp

● Distributed by: